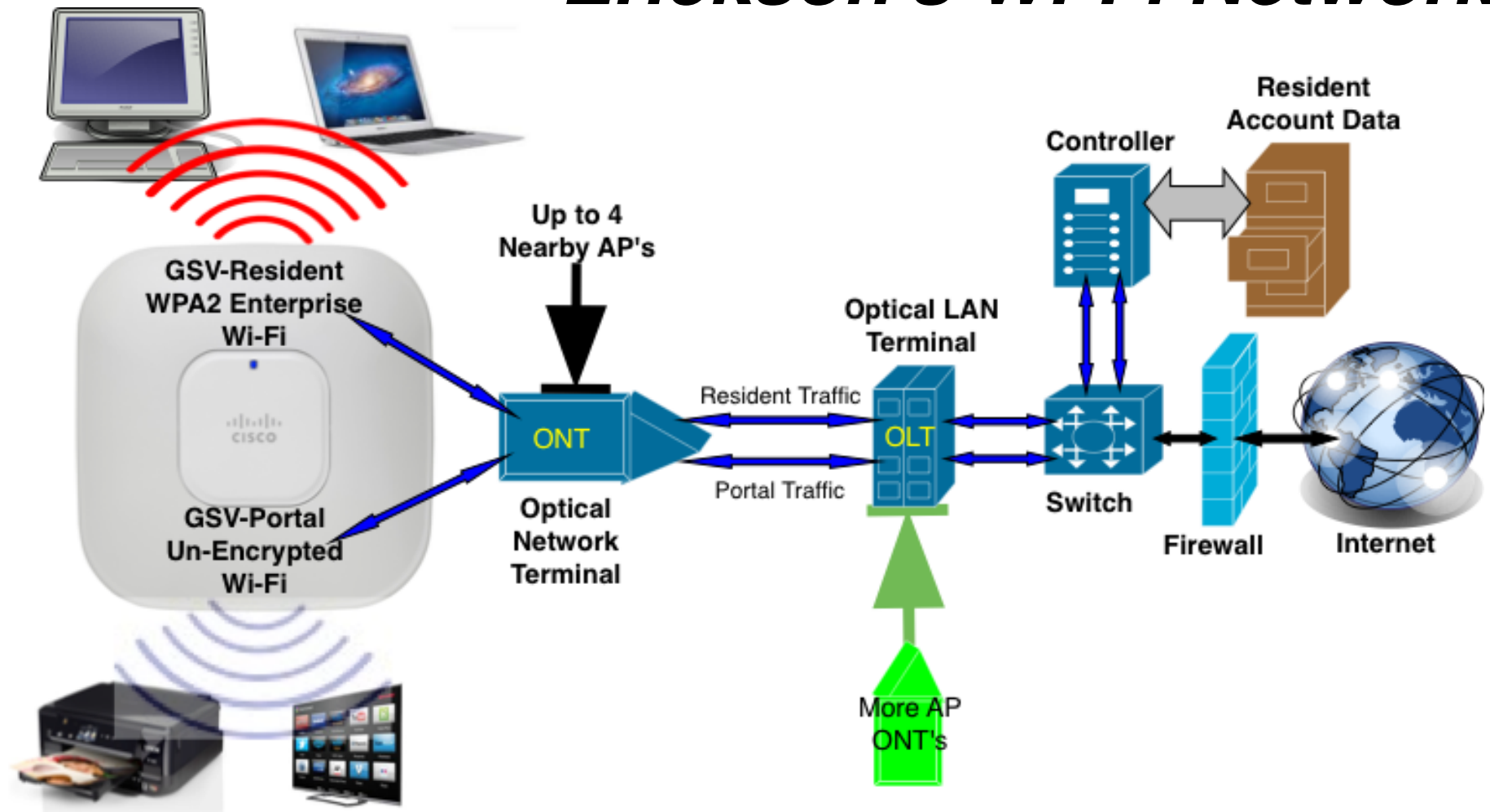


Home Wi-Fi Network



In a Home network, as above, all devices directly communicate to each other through the Base Station/Router. A file directed to “My Desktop” from the Macbook Air travels to the Base station and that routes it directly to My Desktop in one hop.

Erickson's Wi-Fi Network



In the Erickson Connect system devices cannot directly communicate with each other. Traffic between devices is routed through the Controller to locate and verify that the devices are in the same account. Portal devices must have their MAC ID in the Portal data base or they will be filtered out.